

# Broil King®

---

---



9822-82  
9822-83



9822-62  
9822-63



9822-52  
9822-53

---

---

*Onward*  
MANUFACTURING COMPANY

SINCE 1906

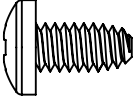

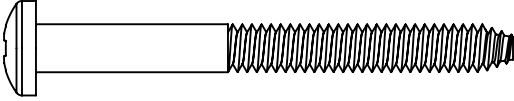
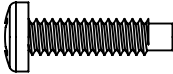
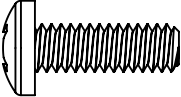
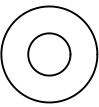
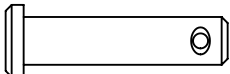
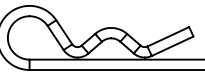
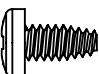
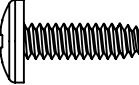
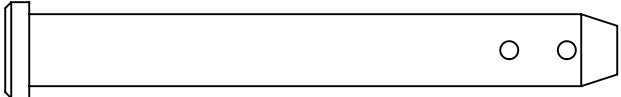

1000 EAST MARKET STREET  
HUNTINGTON, INDIANA, 46750, USA

50084-C65EU Rev F 11/17



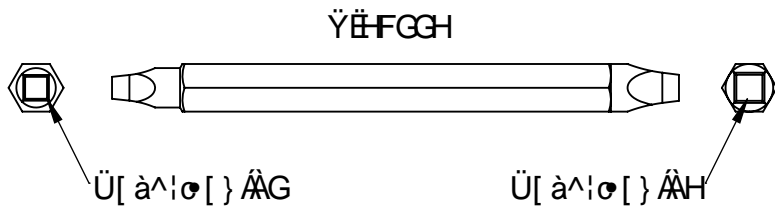
POËÛÖY OEÛÒÁÐ ÔŠWÖÖÖÁ



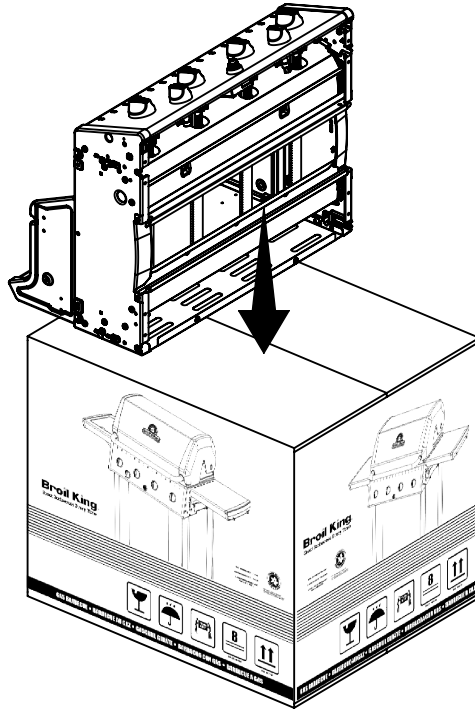
YËGÎÍ 	YËFĪ JH 	
YËFĪ Î G 		
YËGJH€ 	YËGHF€ 	YËGĪ Î € 
ÛFGHÍ 	ÛFGHH 	YËGJH€ 
ÛHÍ €J 	FEG €ĪH 	
GEEÉÍ ÈÈÈ€ 		



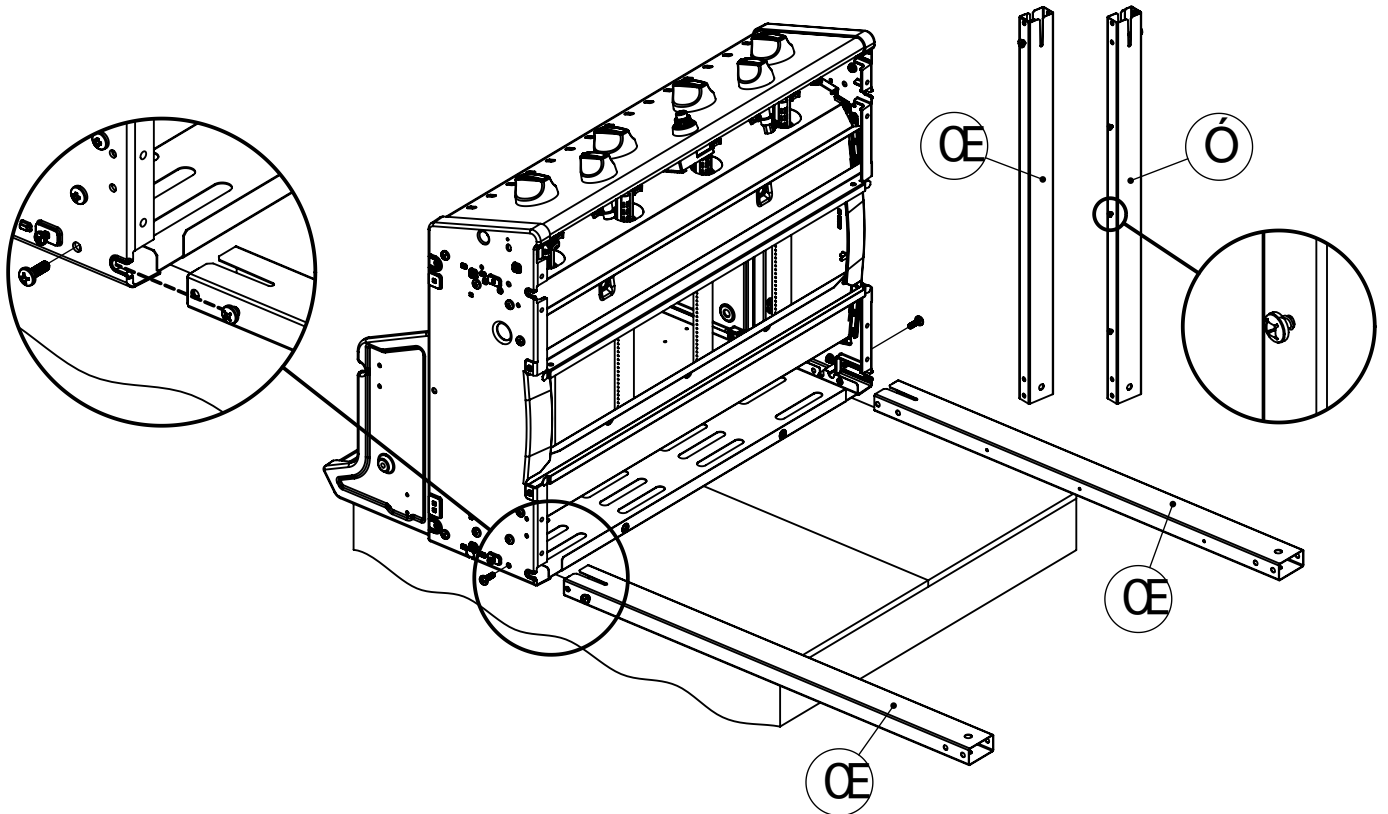
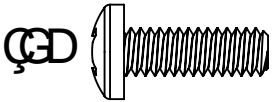
VUUŠÛÄÛÒÛWÖÛÖÖ

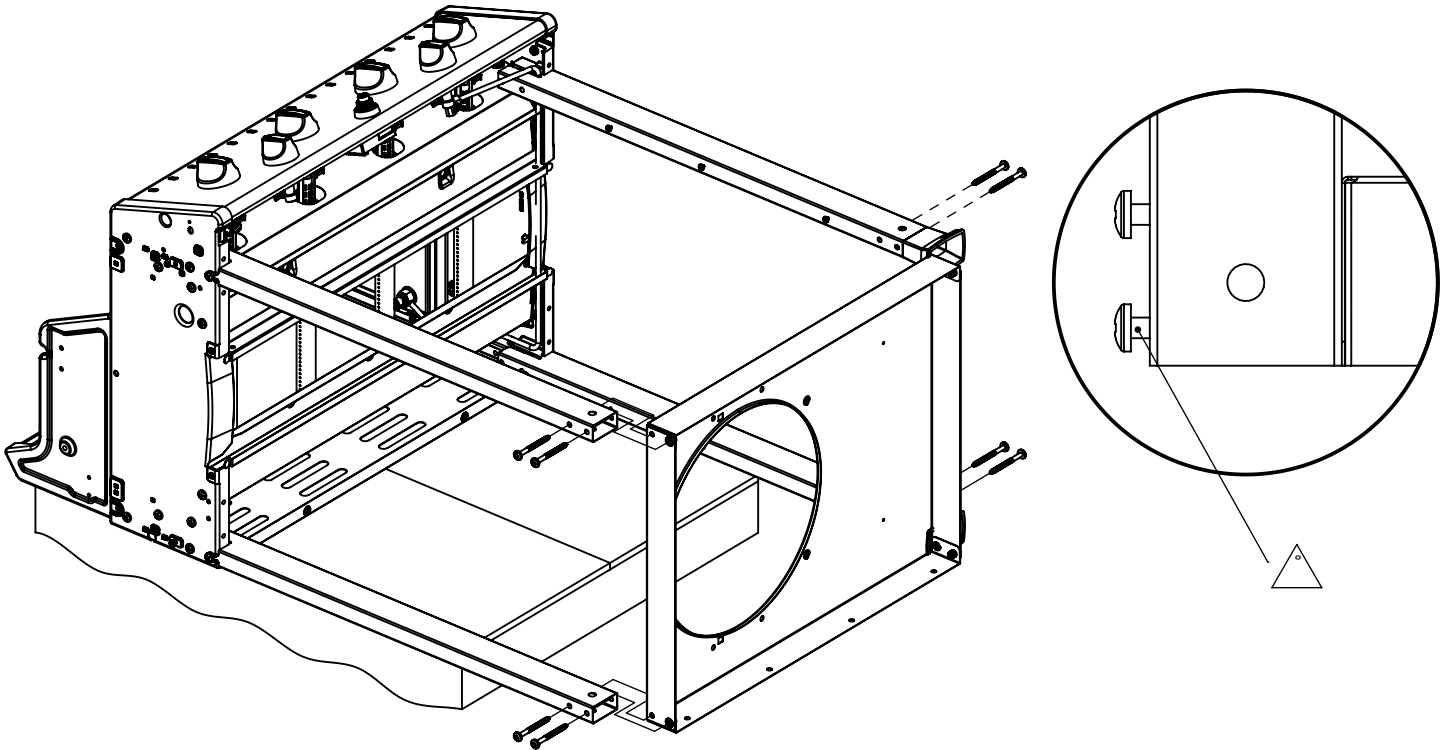
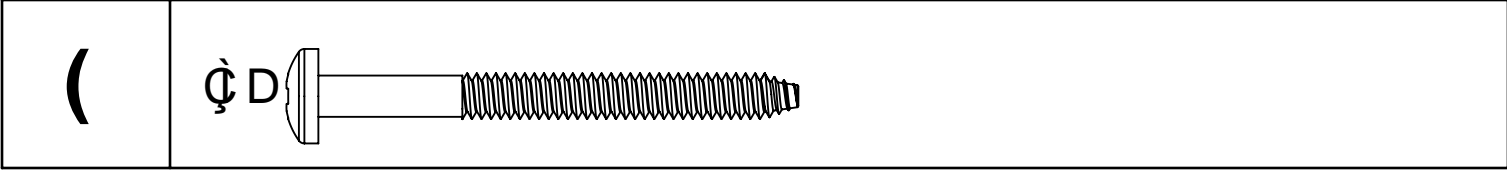
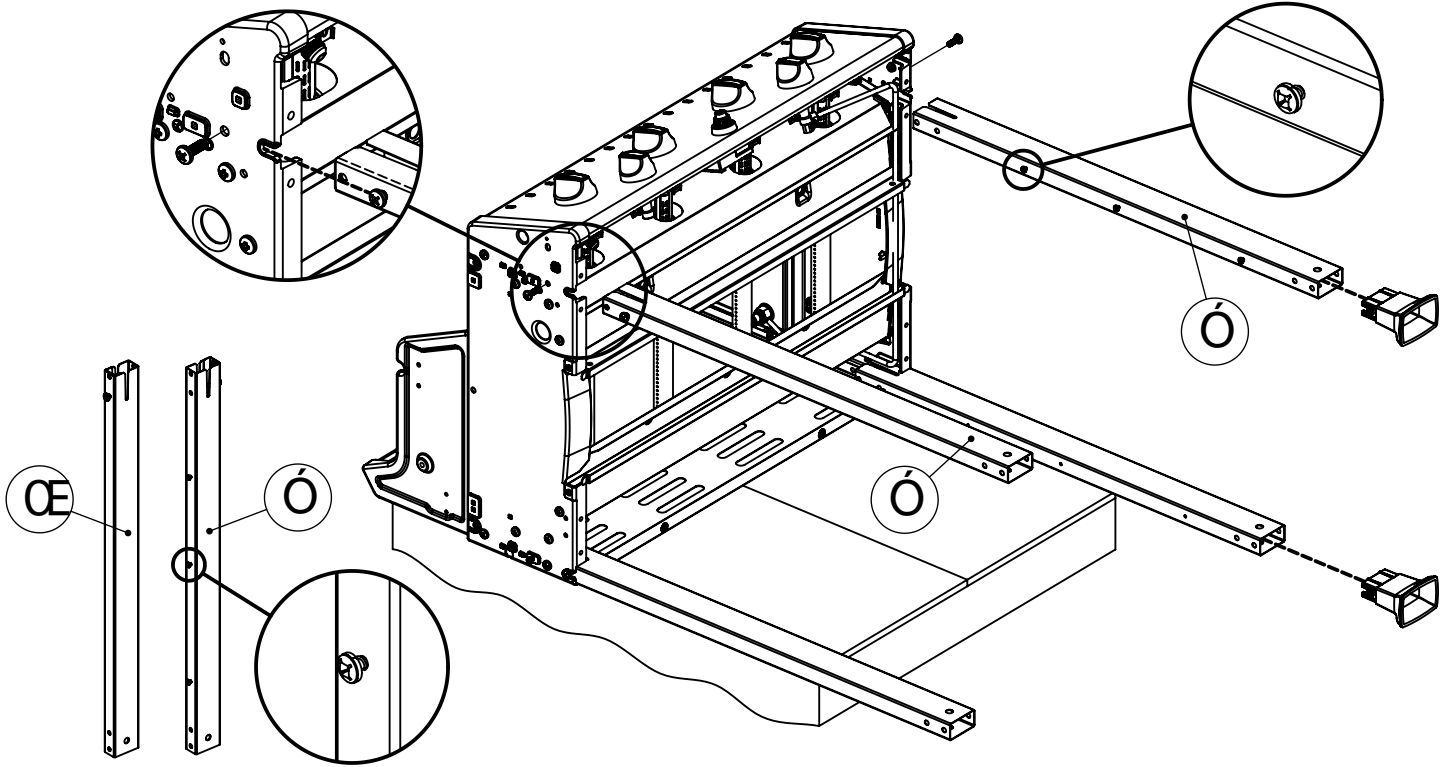
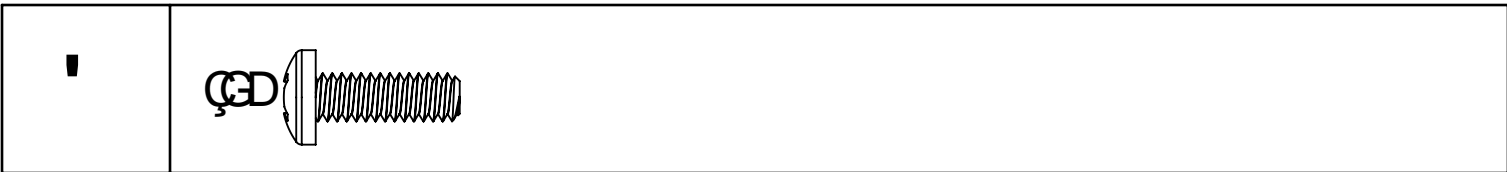


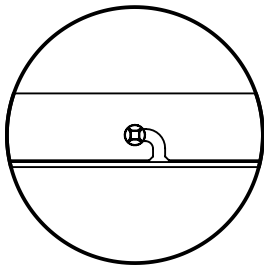
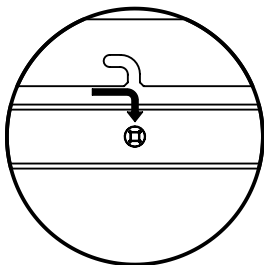
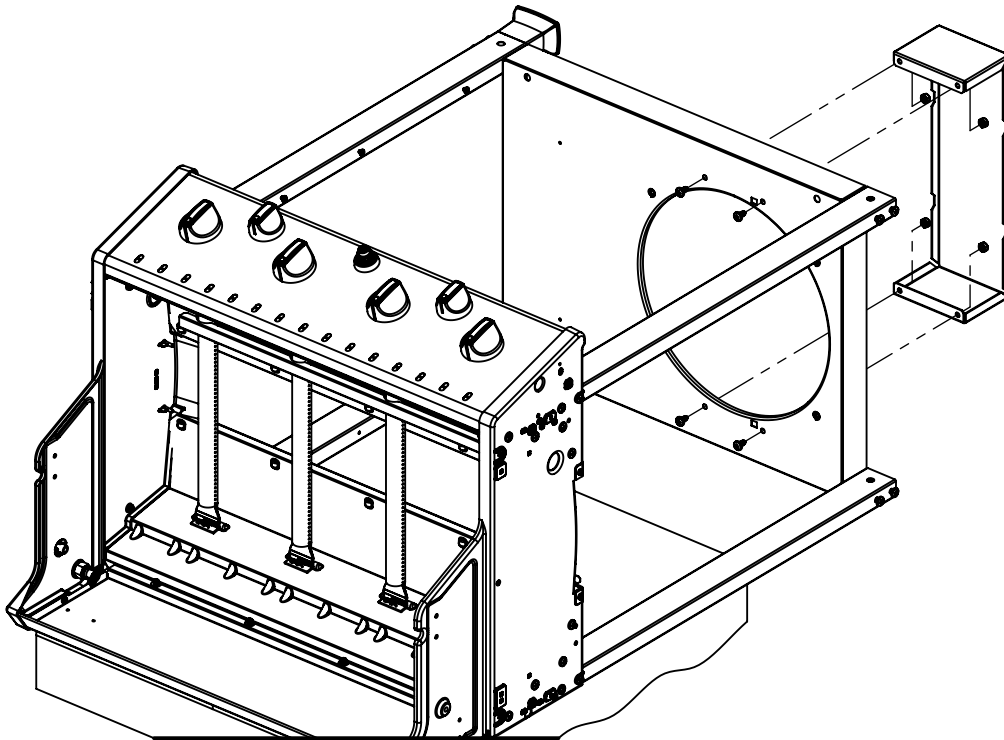
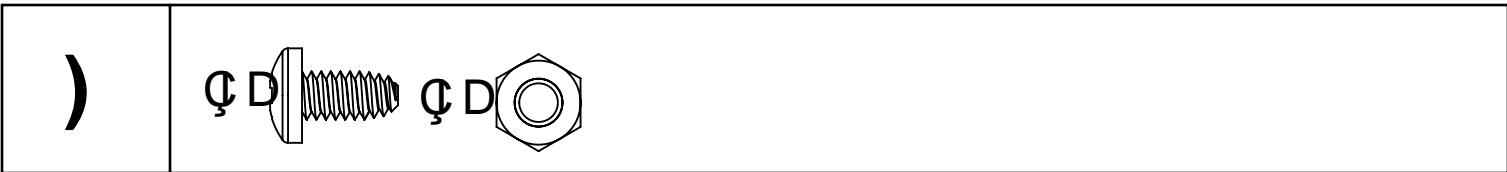
%



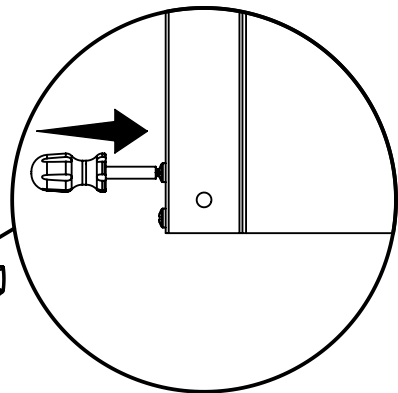
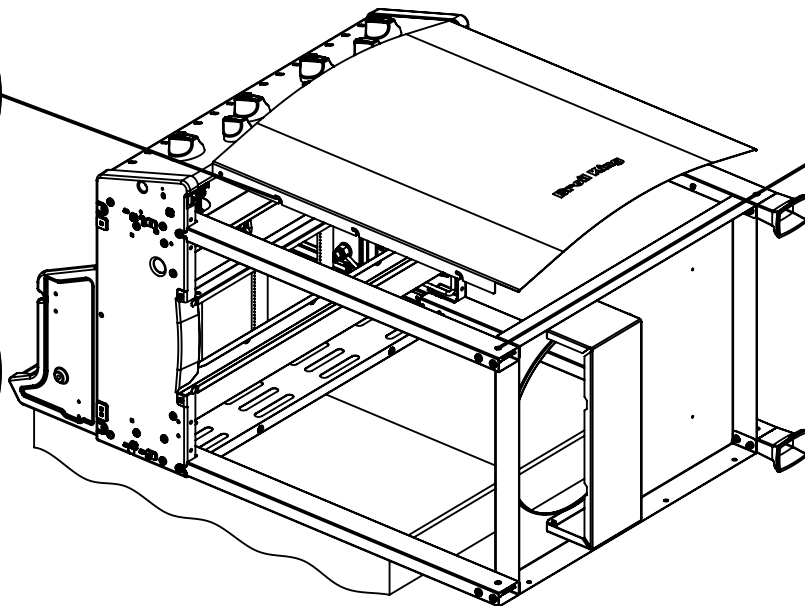
&



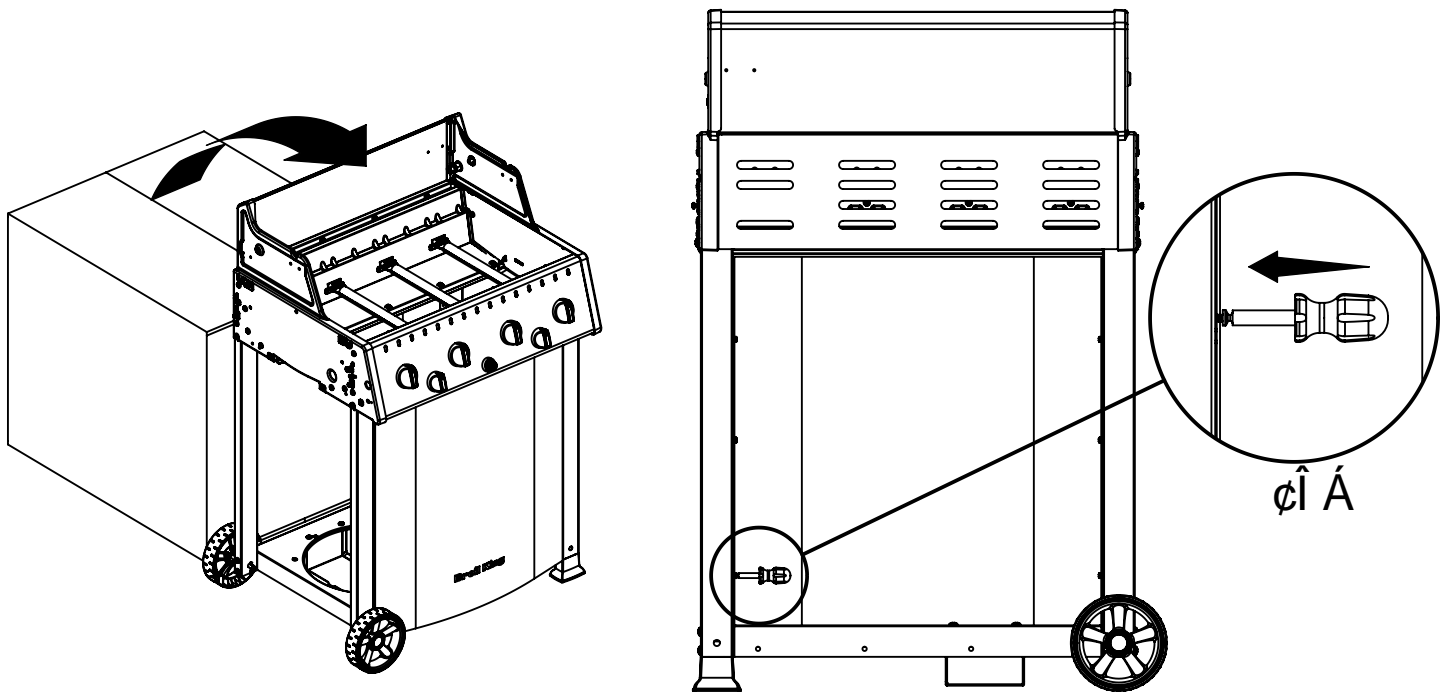
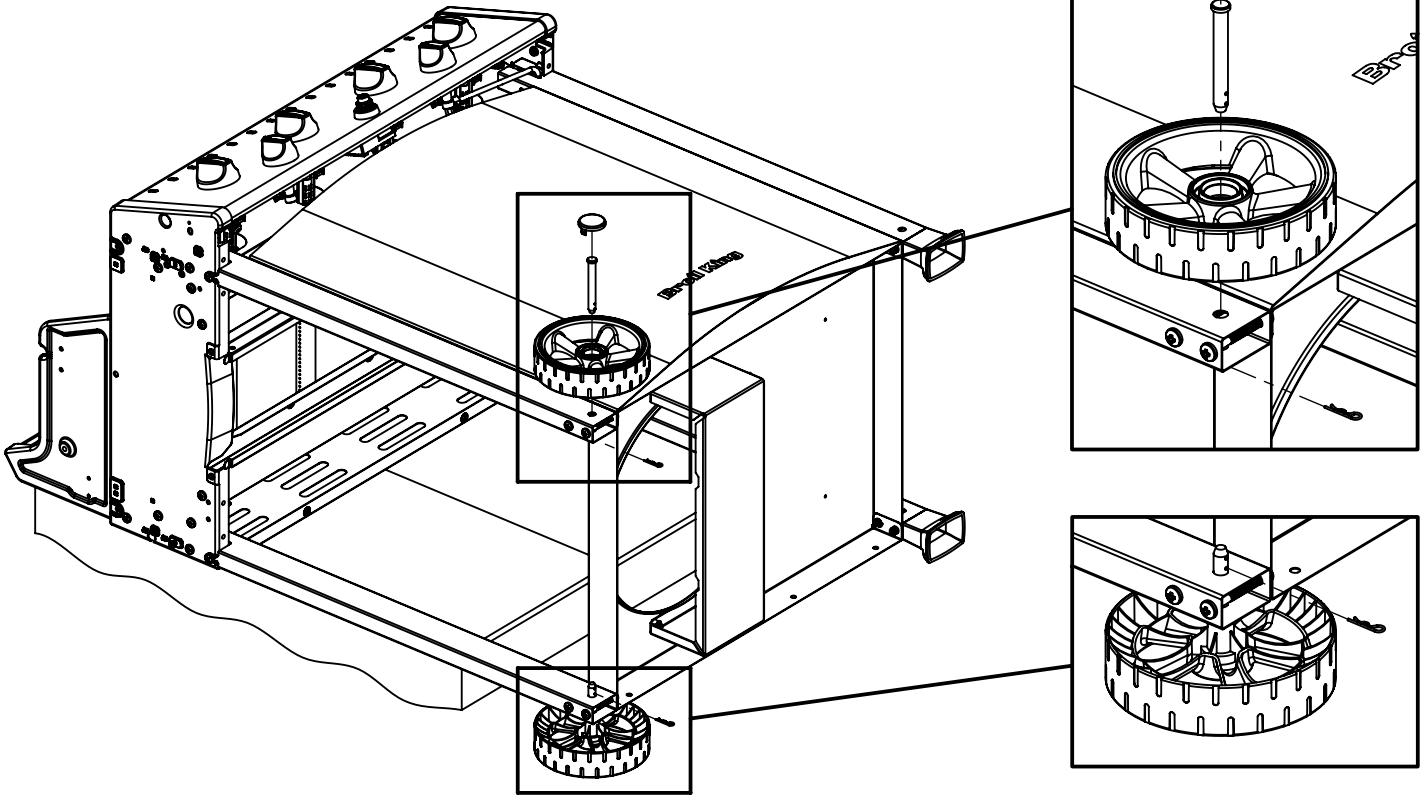
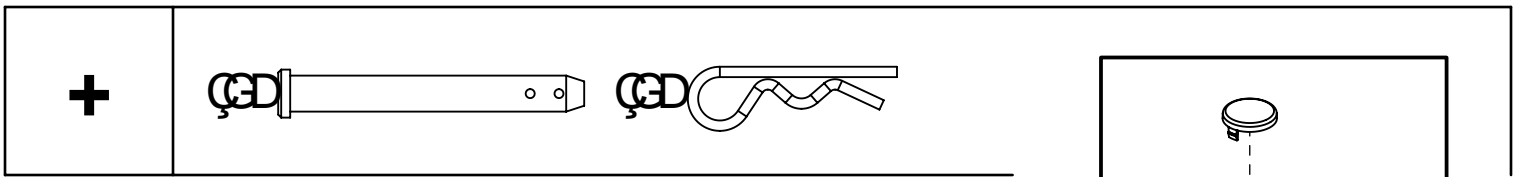


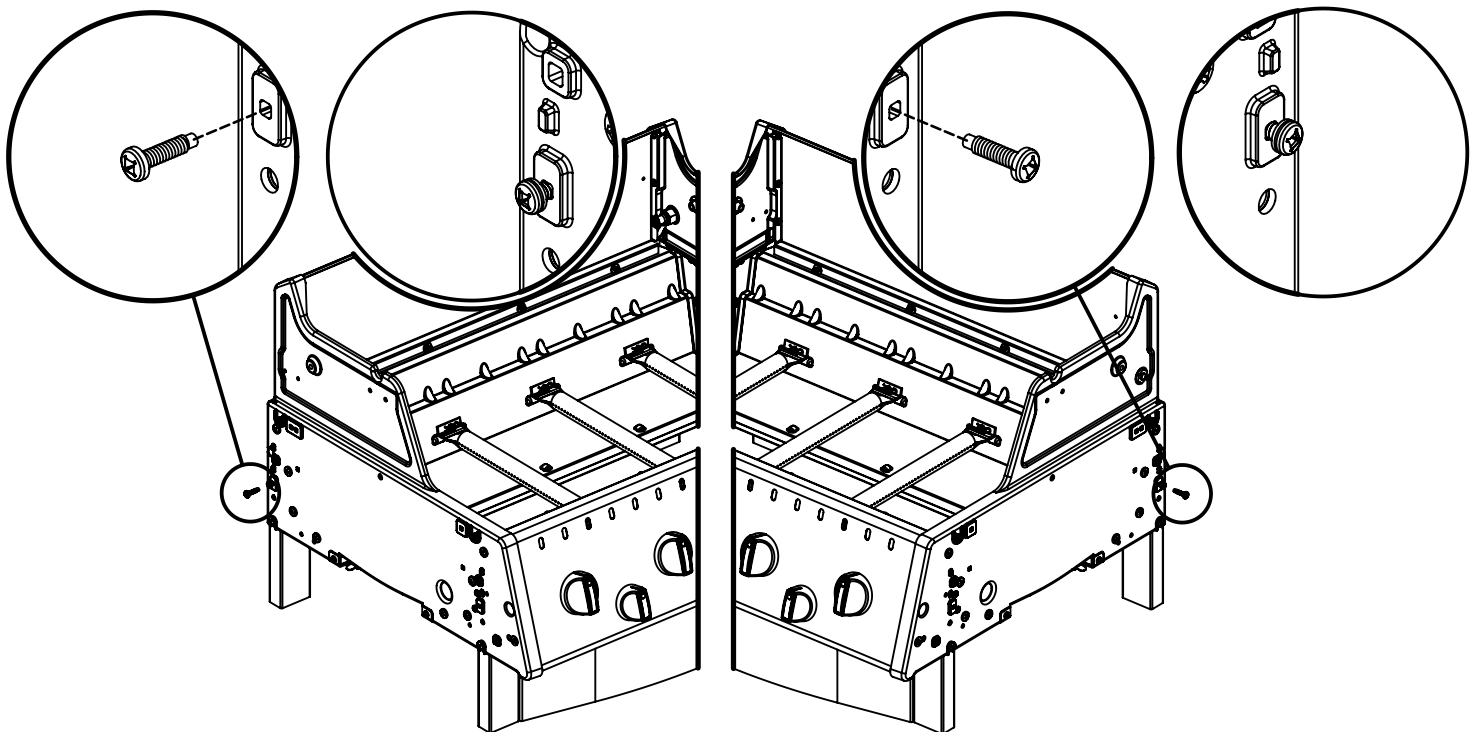
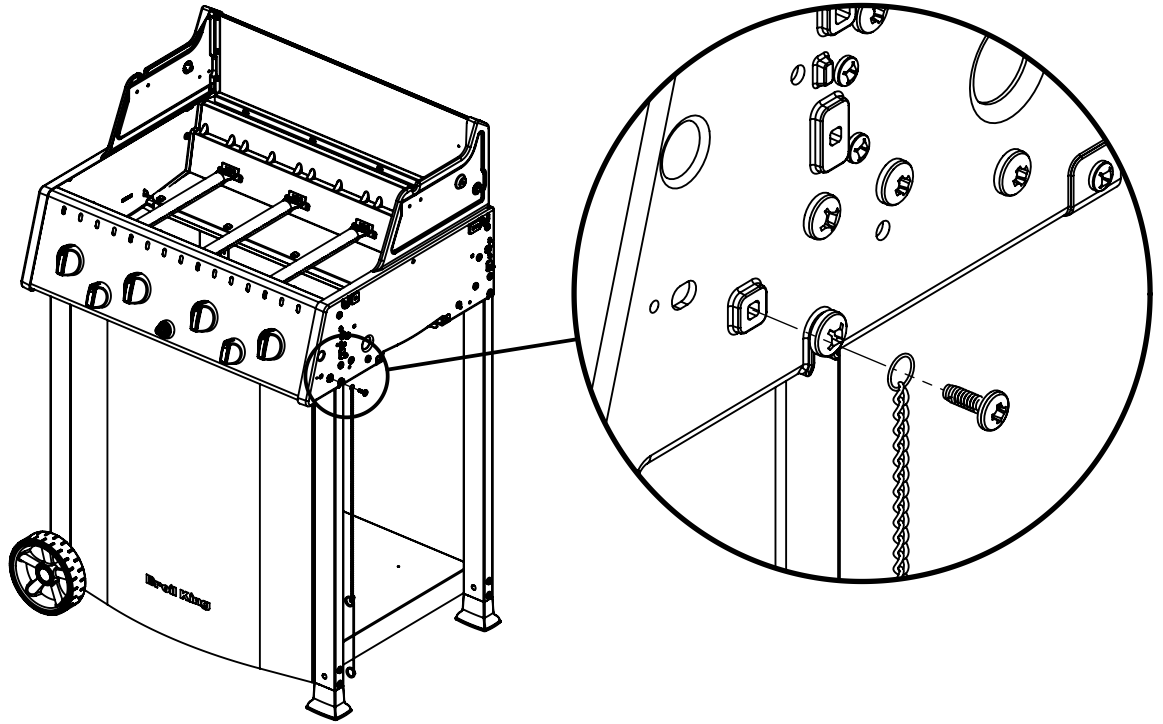
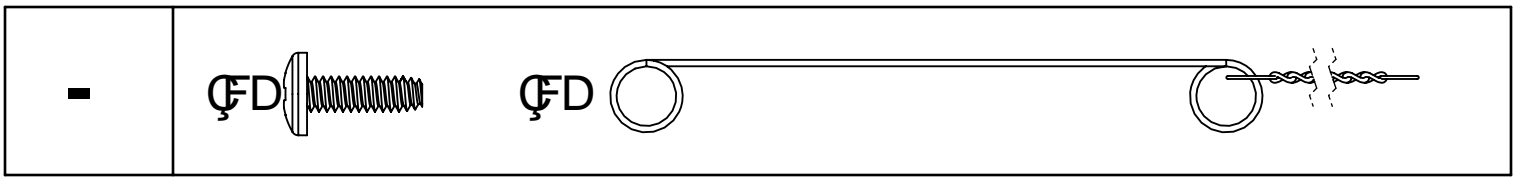


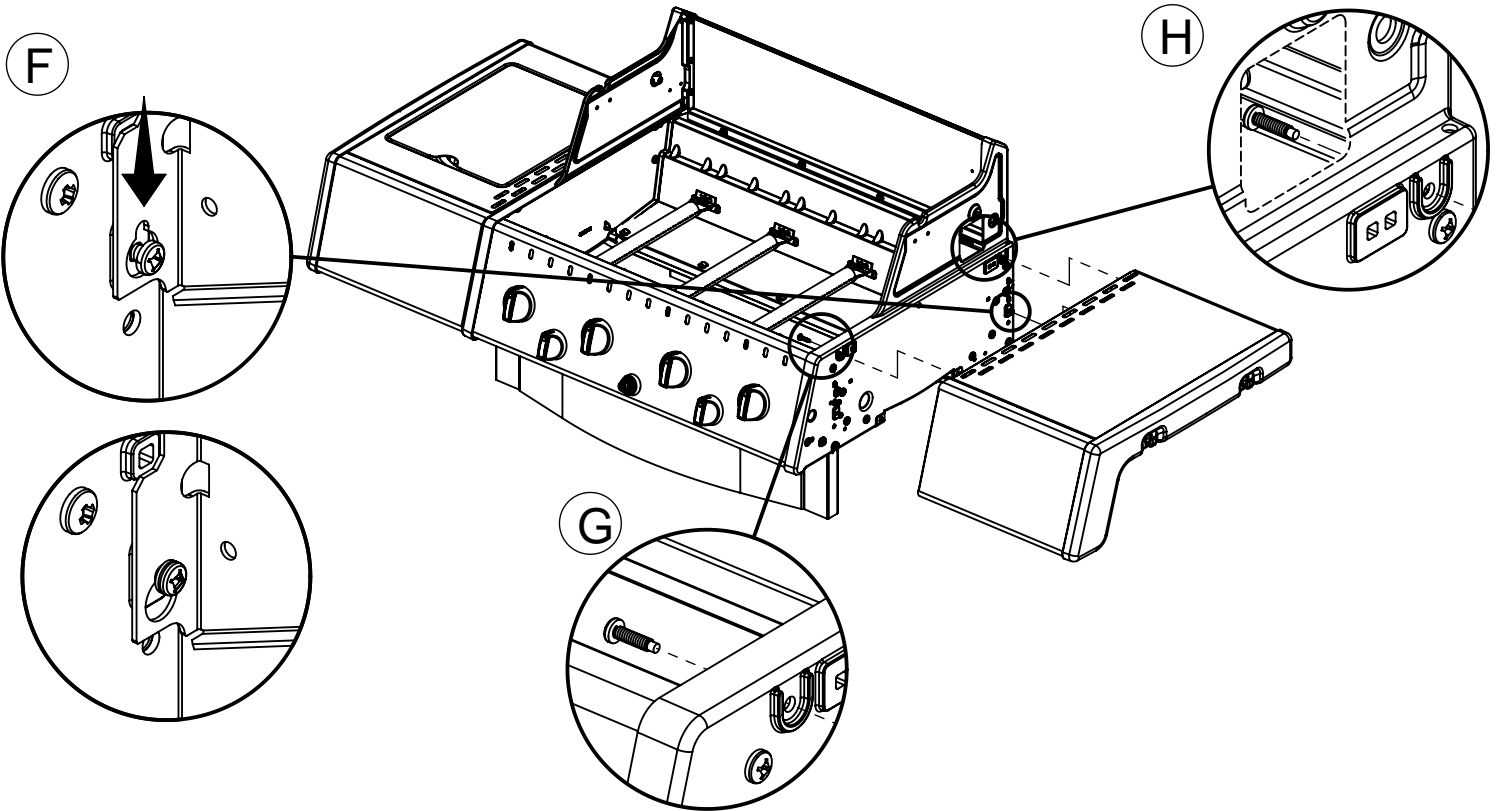
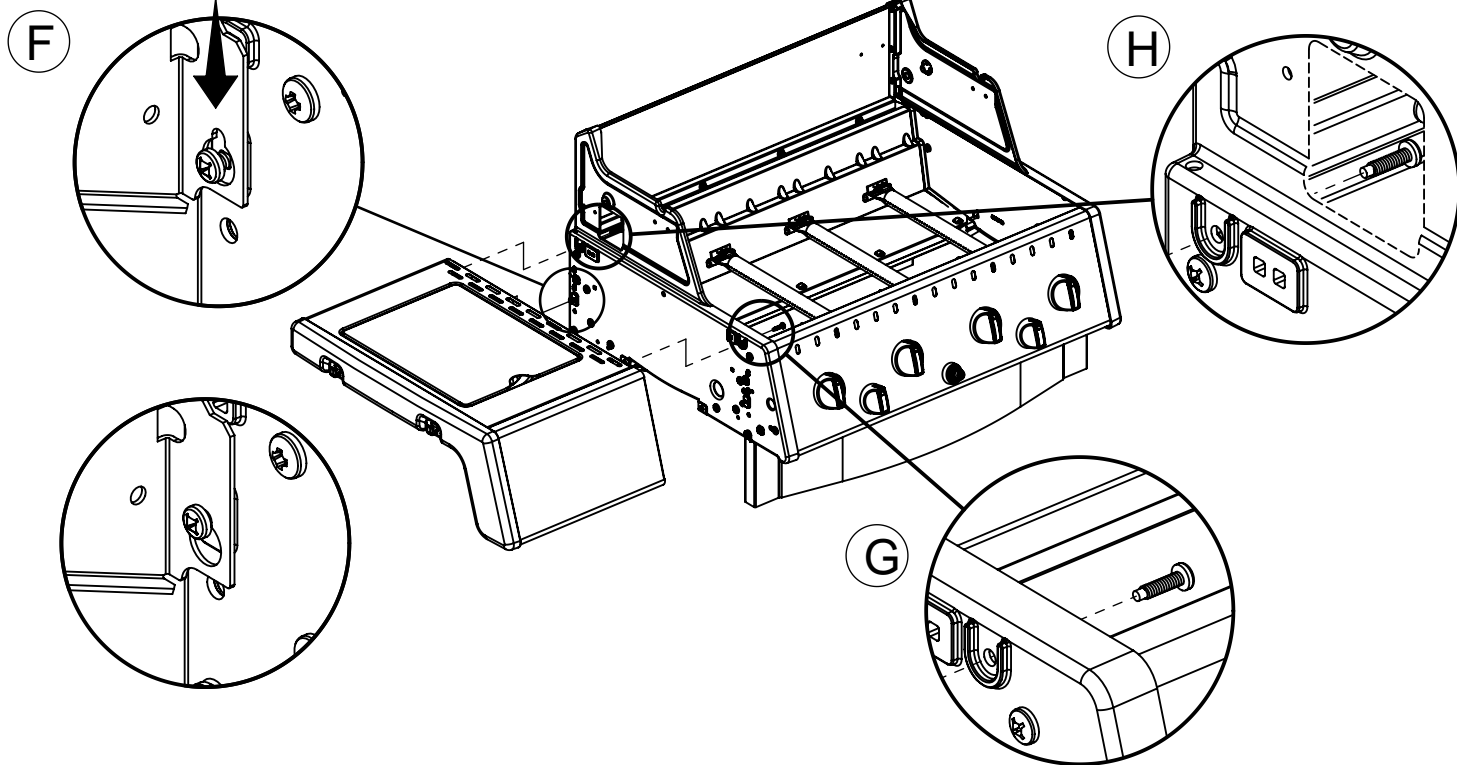
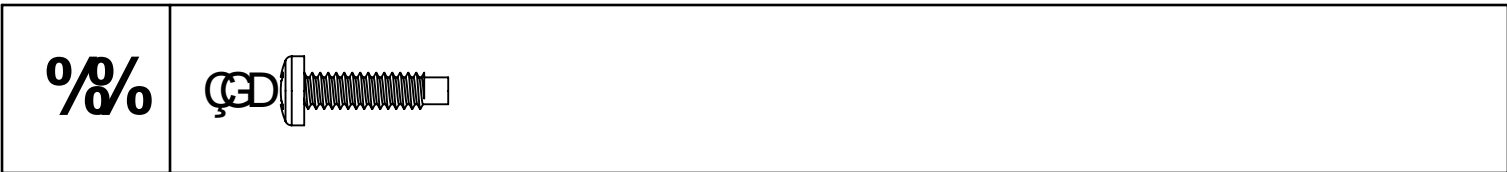
çî



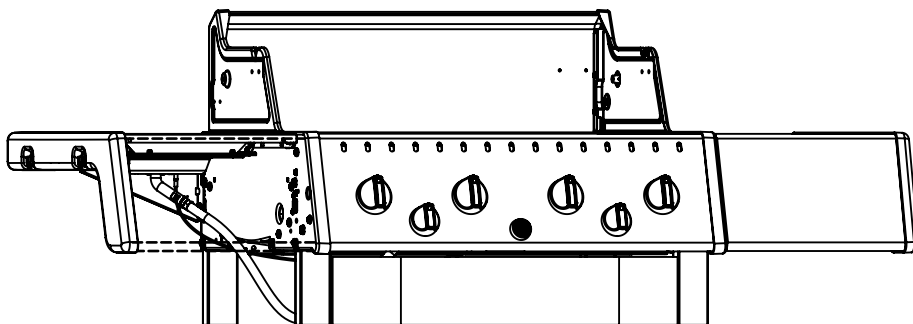
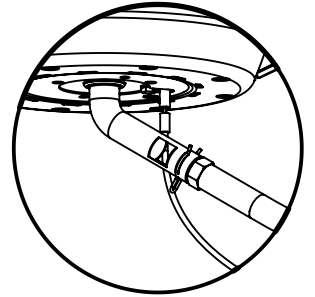
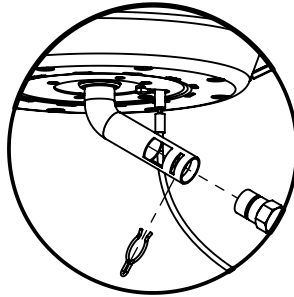
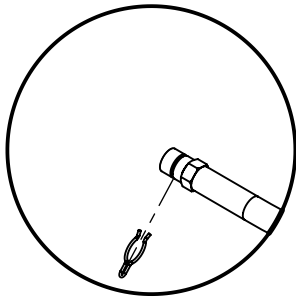
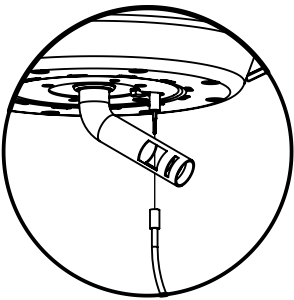
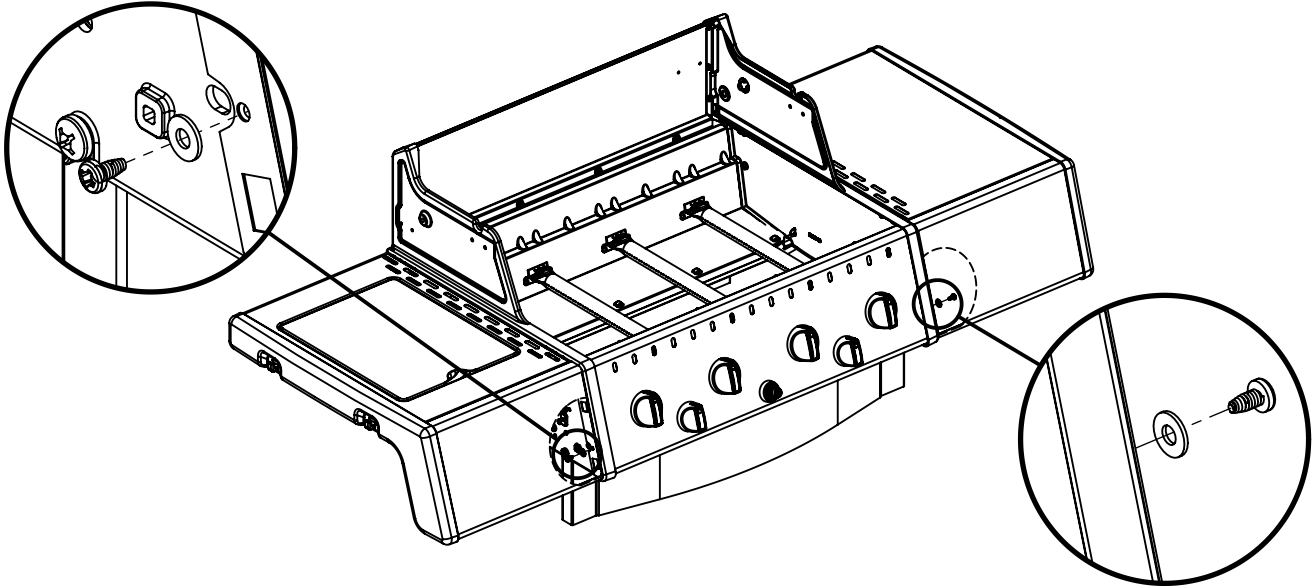
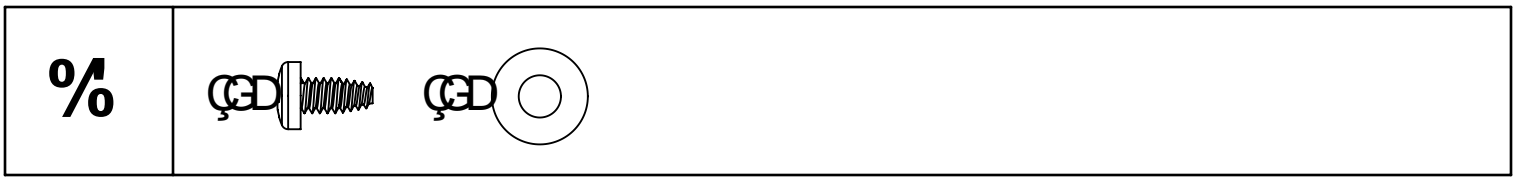
çî



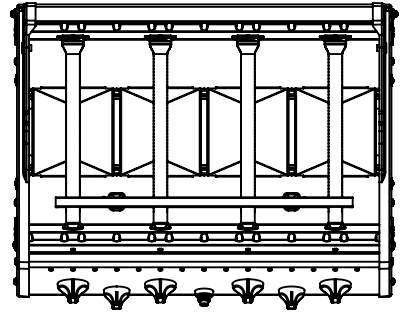
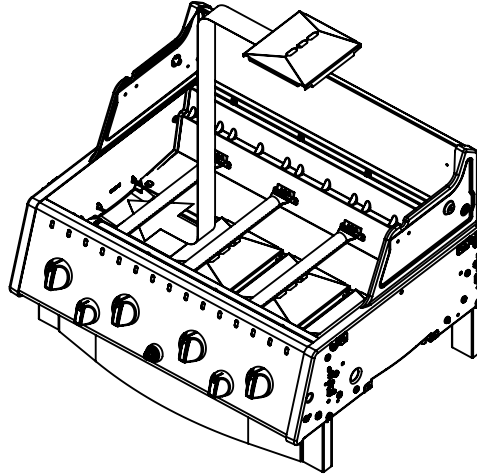
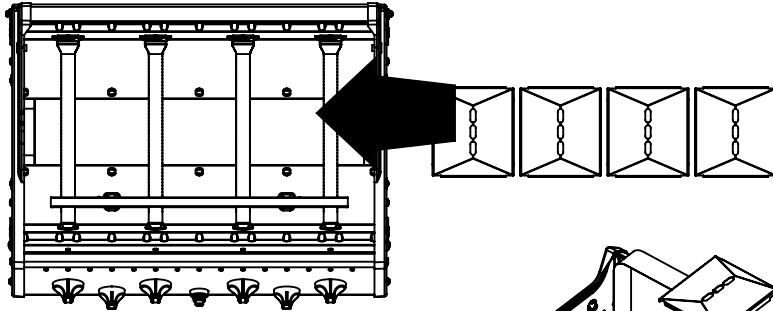




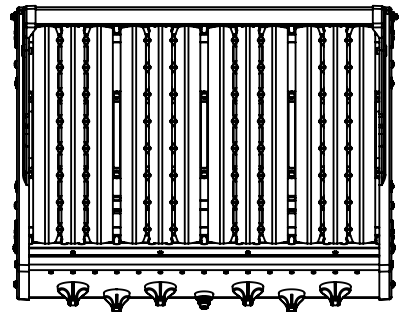
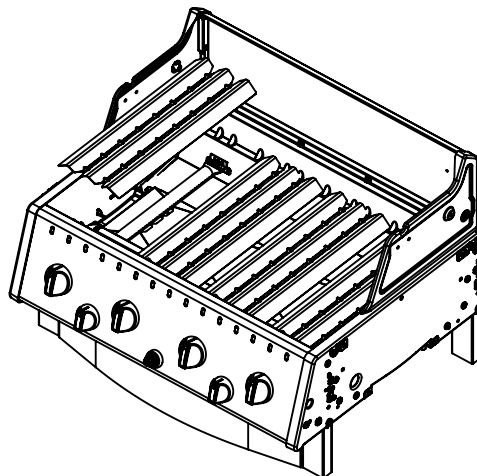
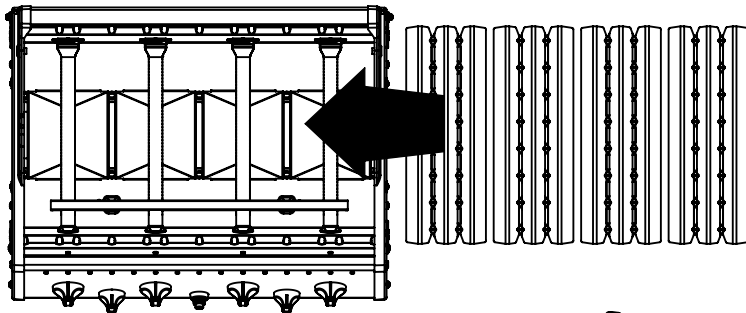


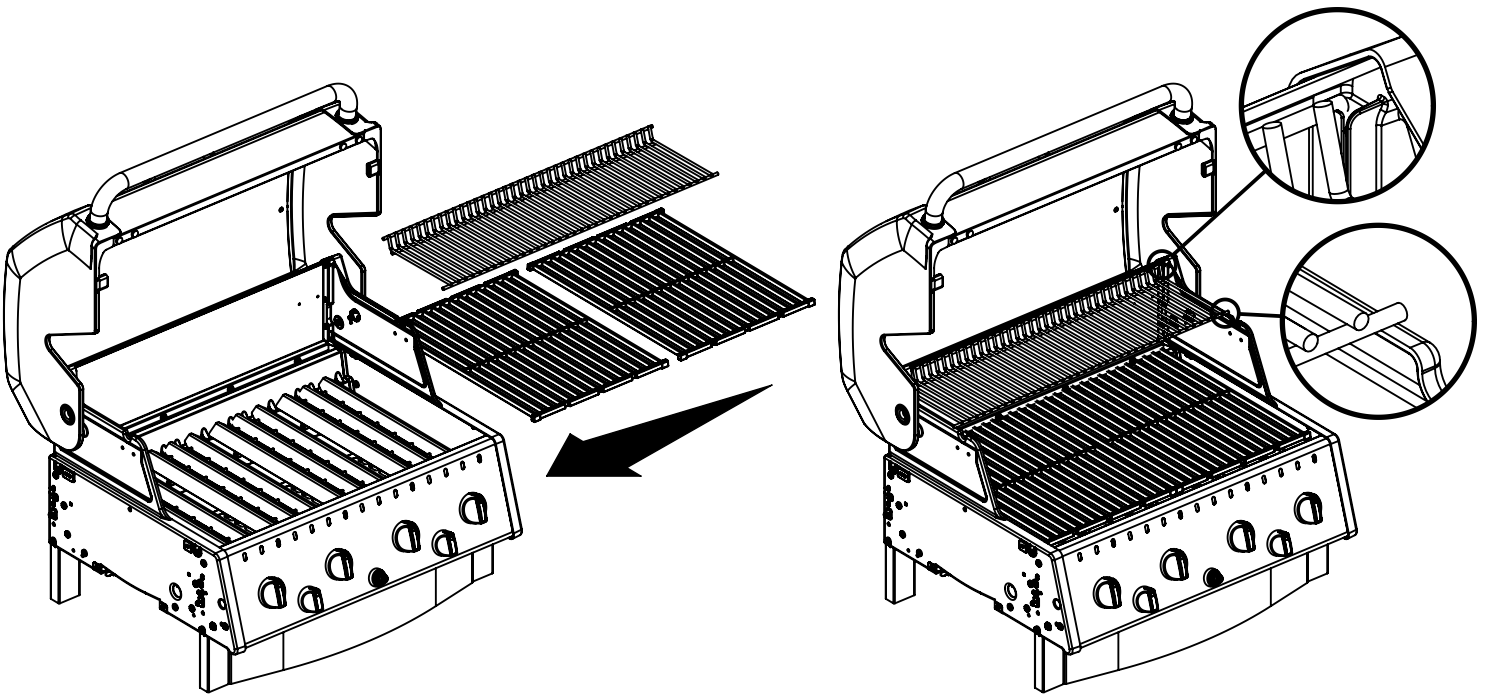
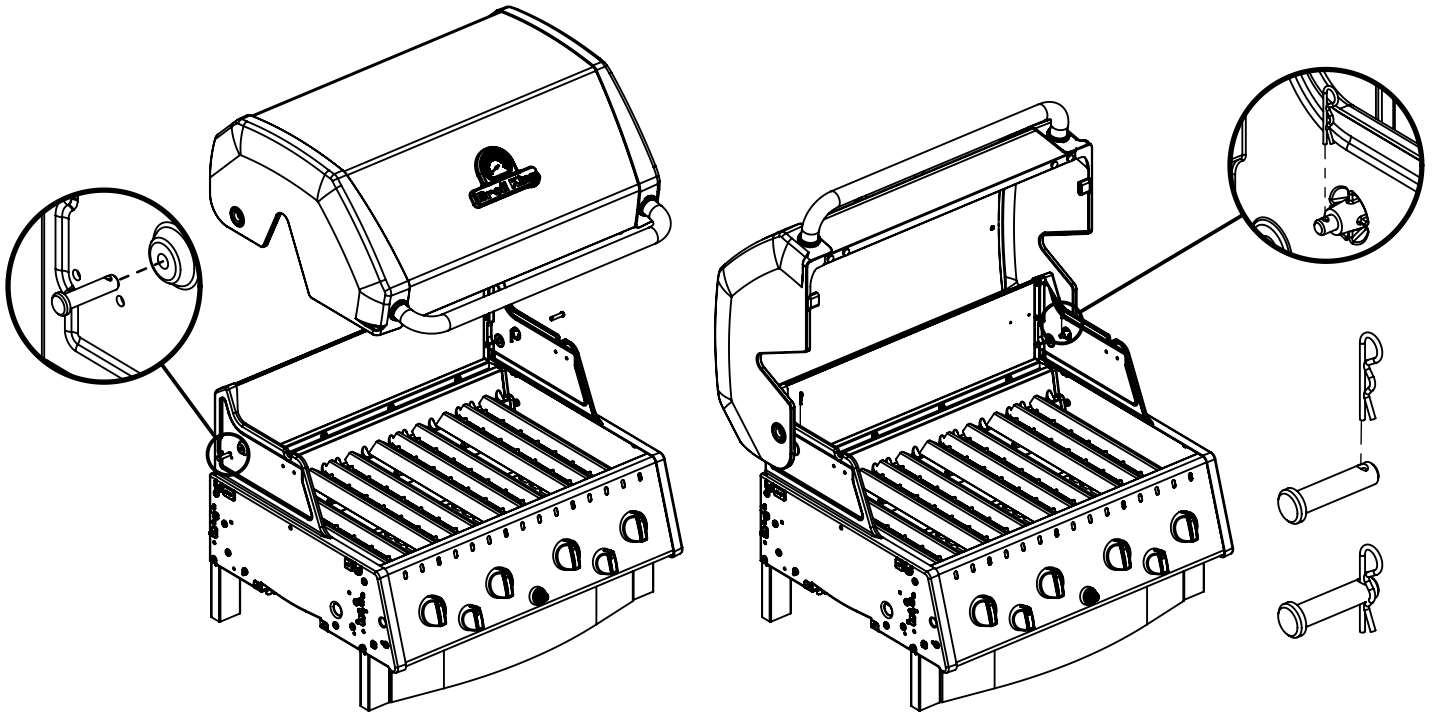
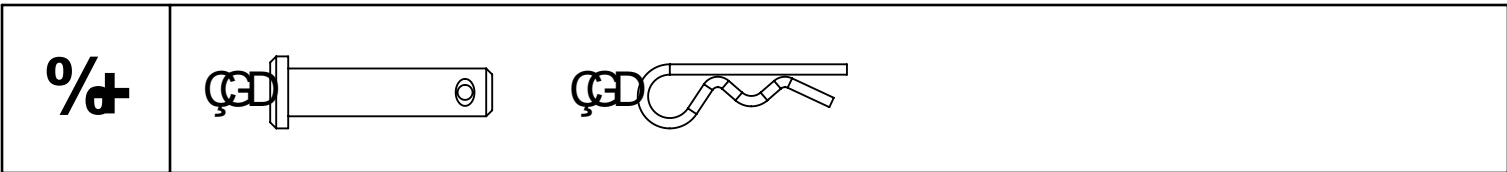


0/4

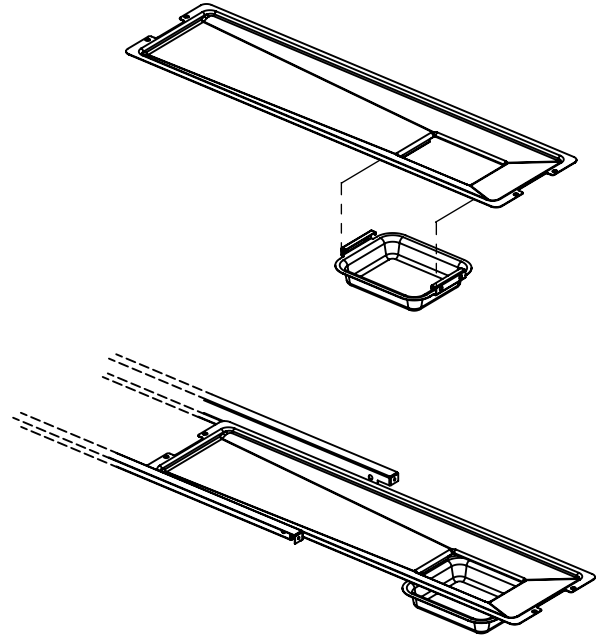
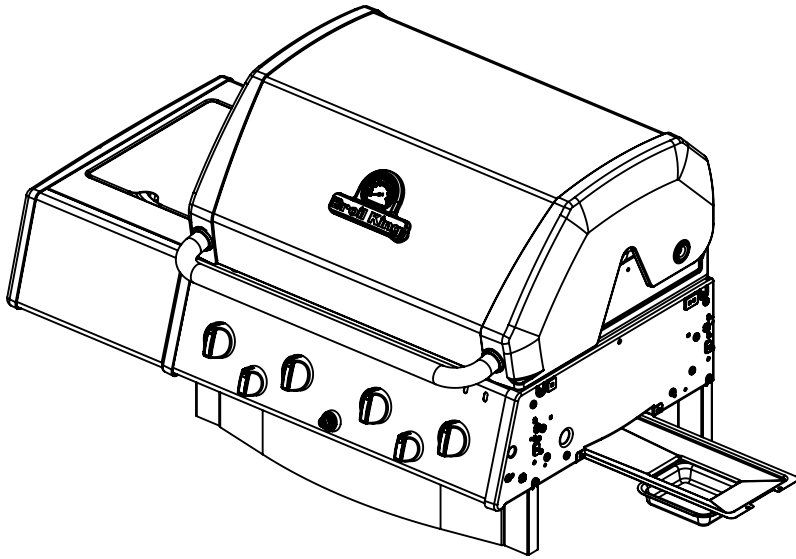


0/\*

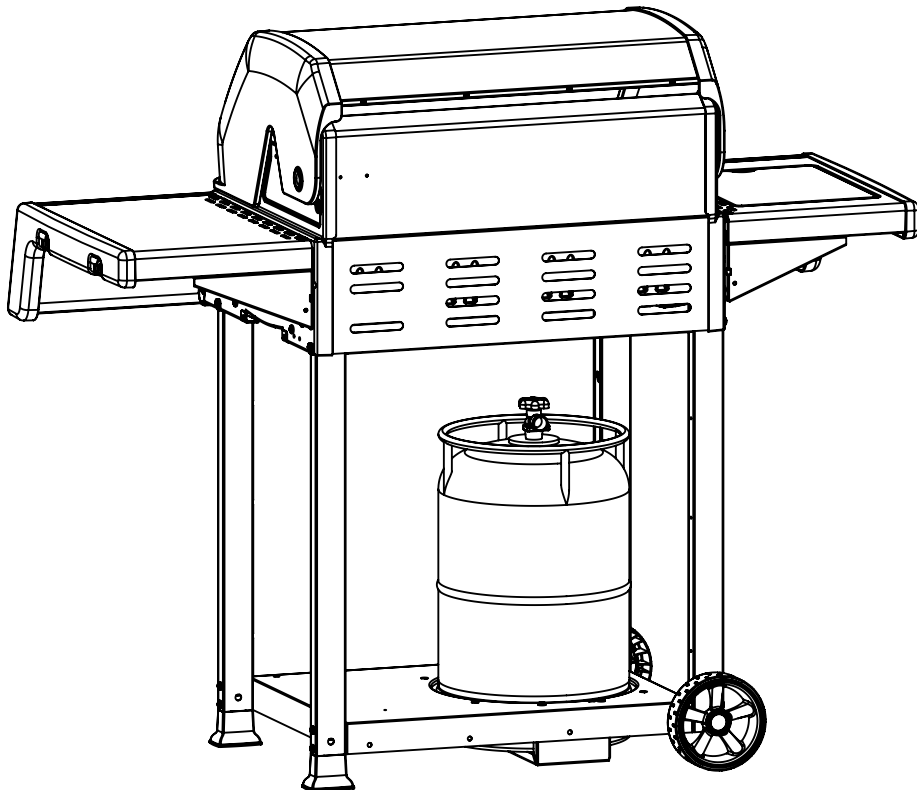




%



&\$



&%

